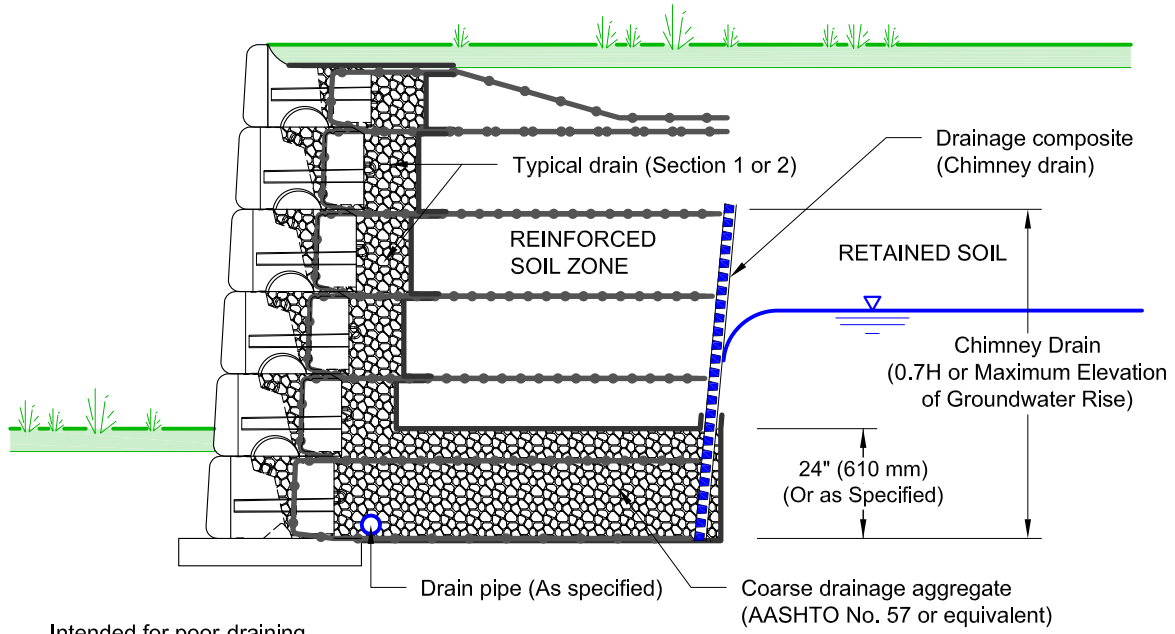
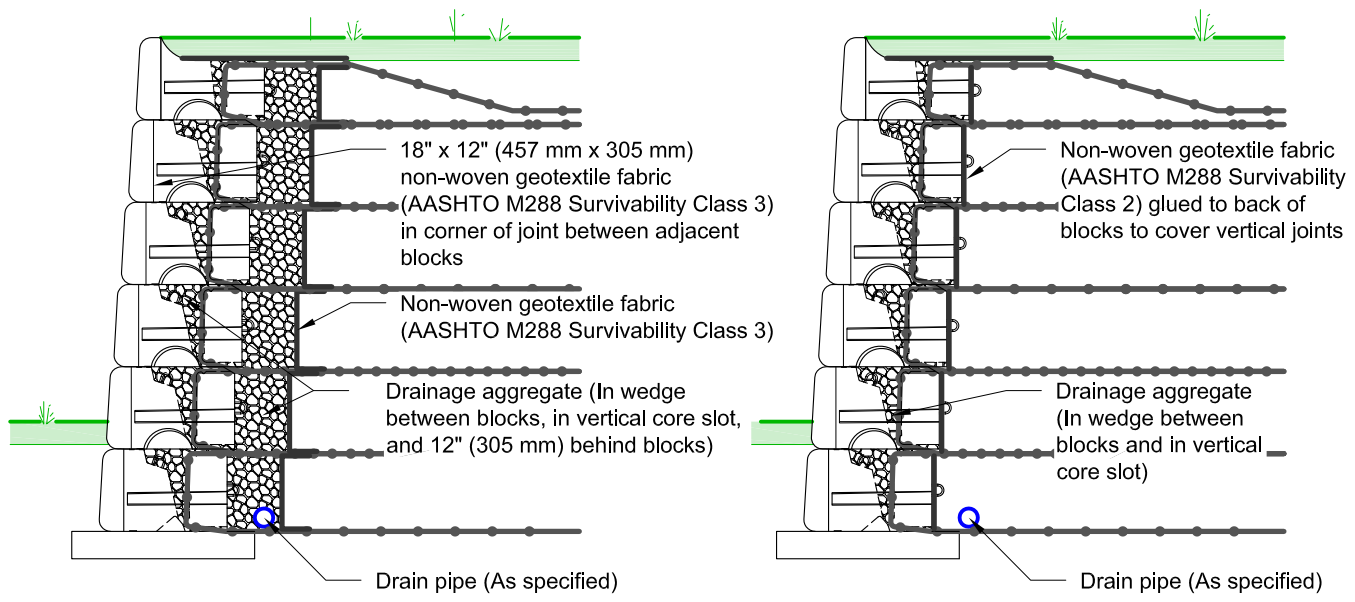


Internal Drainage Options

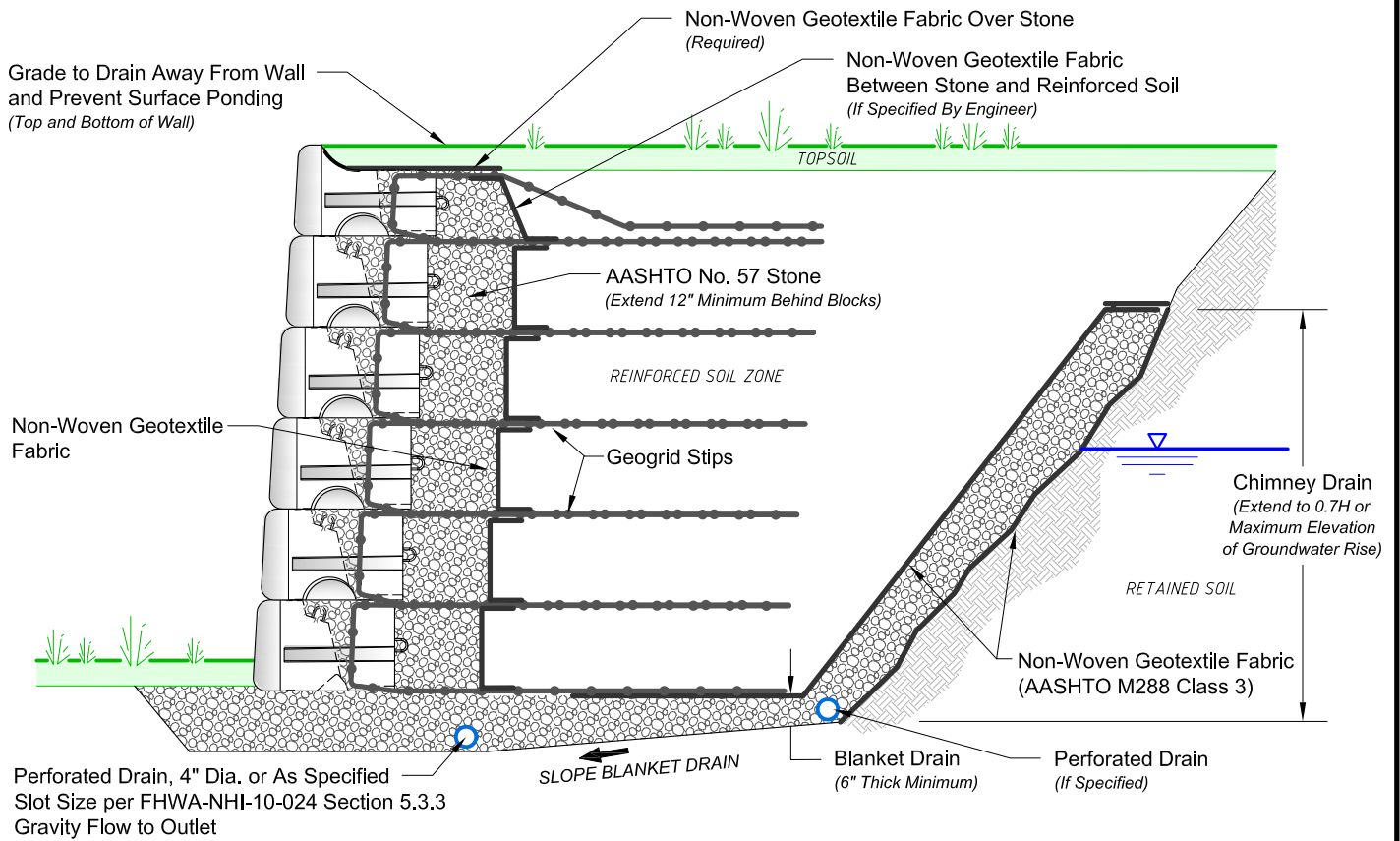


Intended for poor-draining retained soils and/or areas with potential groundwater impact

Blanket and Chimney Drain Section

This drawing is for reference only. Determination of the suitability and/or manner of use of any details contained in this document is the sole responsibility of the design engineer of record. Final project designs, including all construction details, shall be prepared by a licensed professional engineer using the actual conditions of the proposed site.


DRAWN BY:	JRJ	TITLE:	<h2 style="margin: 0;">Wall Drainage Options</h2>	REDI*ROCK® 05481 US 31 SOUTH, CHARLEVOIX, MI 49720 (866) 222-8400 ext 3010 • engineering@redi-rock.com www.redi-rock.com
APPROVED BY:	JRJ	FILE:		
DATE:	06-22-2015	1 Wall Drainage Options 062215.dwg		
SHEET:	1 of 1			



Stone Chimney Drain Section

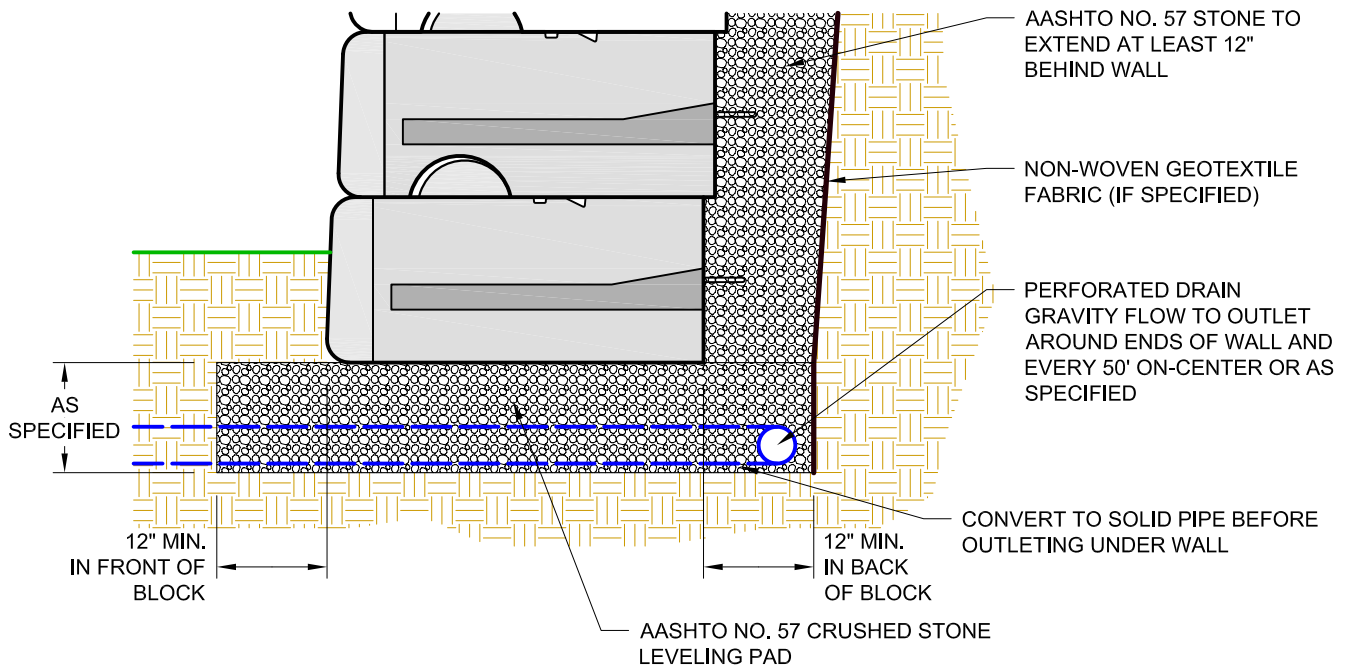
(POOR-DRAINING RETAINED SOILS AND/OR AREAS WITH POTENTIAL GROUNDWATER IMPACT)
(NO SCALE)

This drawing is for reference only. Determination of the suitability and/or manner of use of any details contained in this document is the sole responsibility of the design engineer of record. Final project designs, including all construction details, shall be prepared by a licensed professional engineer using the actual conditions of the proposed site.

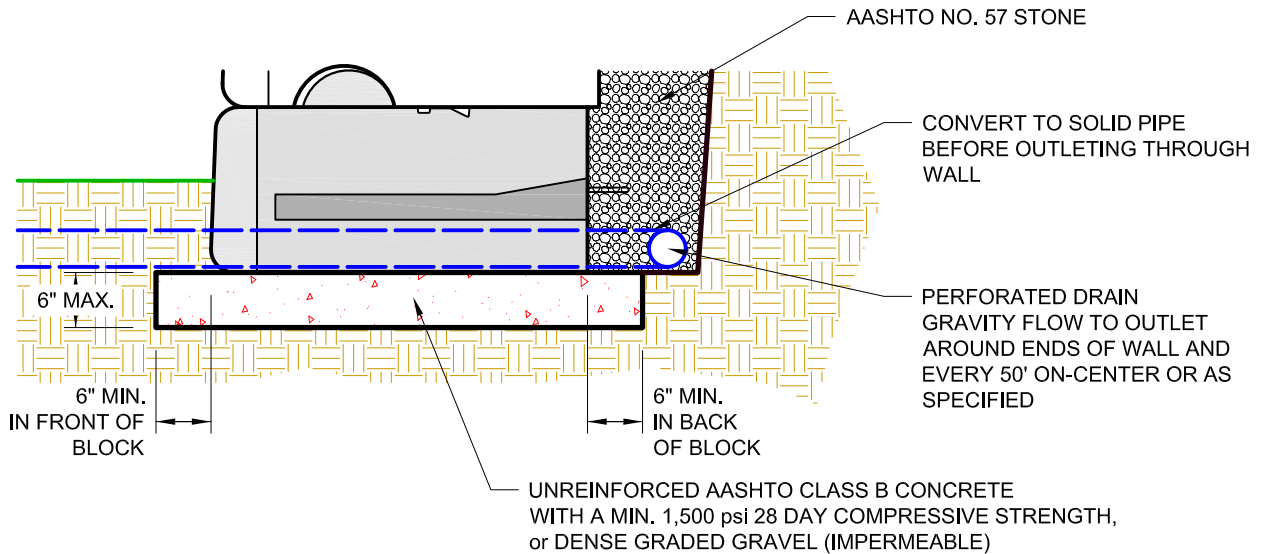
DRAWN BY:	JRJ	TITLE:	Stone Chimney Drain	 <p>05481 US 31 SOUTH, CHARLEVOIX, MI 49720 (866) 222-8400 ext 3010 • engineering@redi-rock.com www.redi-rock.com</p>
APPROVED BY:	JRJ			
DATE:	06-22-2015			
SHEET:	1 of 1	FILE:	2 Stone Chimney Drain 062215.dwg	

LEVELING PAD OPTIONS FOR RETAINING WALL BLOCKS

NO SCALE



OPEN-GRADED CRUSHED STONE LEVELING PAD



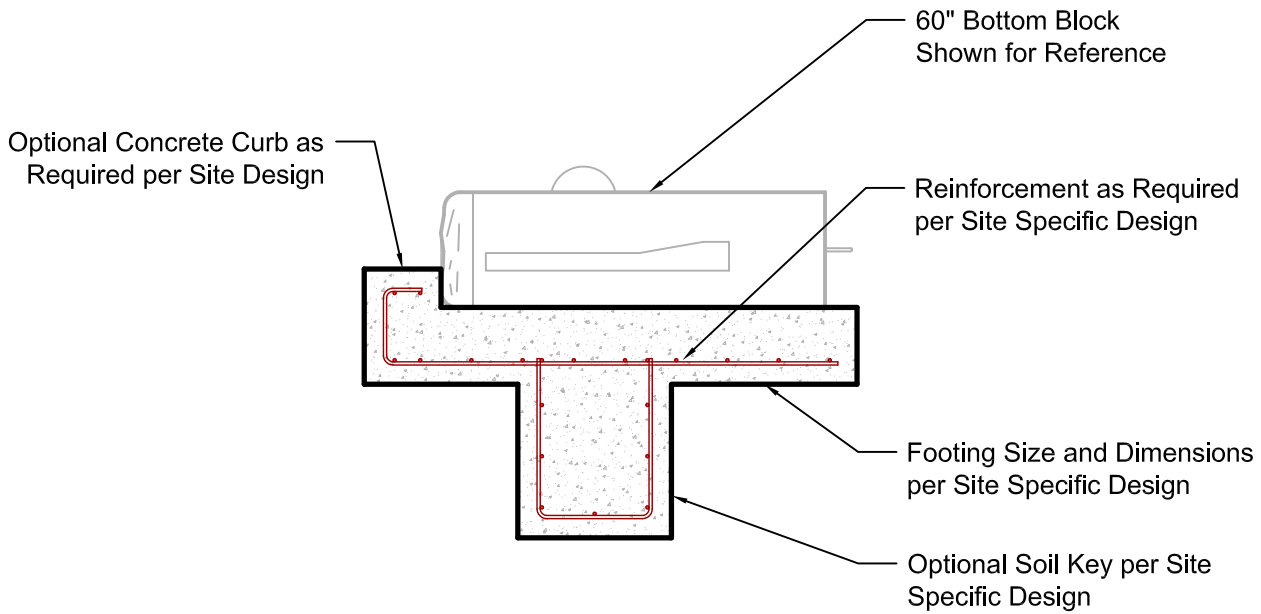
CONCRETE or DENSE GRADED GRAVEL LEVELING PAD

DRAWN BY:	JRJ
APPROVED BY:	JRJ
DATE:	06-22-2015
SHEET:	1 of 1

TITLE:	Leveling Pad Options
FILE:	

REDI-ROCK®

05481 US 31 SOUTH, CHARLEVOIX, MI 49720
 (866) 222-8400 ext 3010 • engineering@redi-rock.com
www.redi-rock.com



OPTIONAL CONCRETE LEVELING PAD WITH KEYWAY

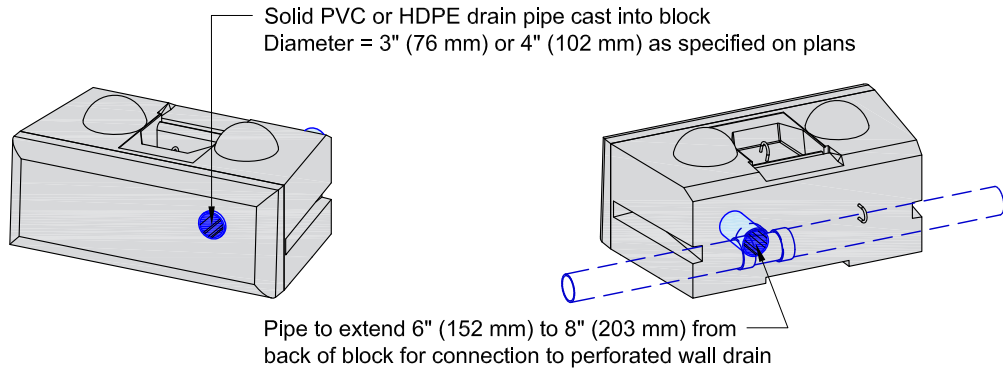
(NO SCALE)

DRAWN BY:	JRJ
APPROVED BY:	JRJ
DATE:	06-22-2015
SHEET:	1 of 1

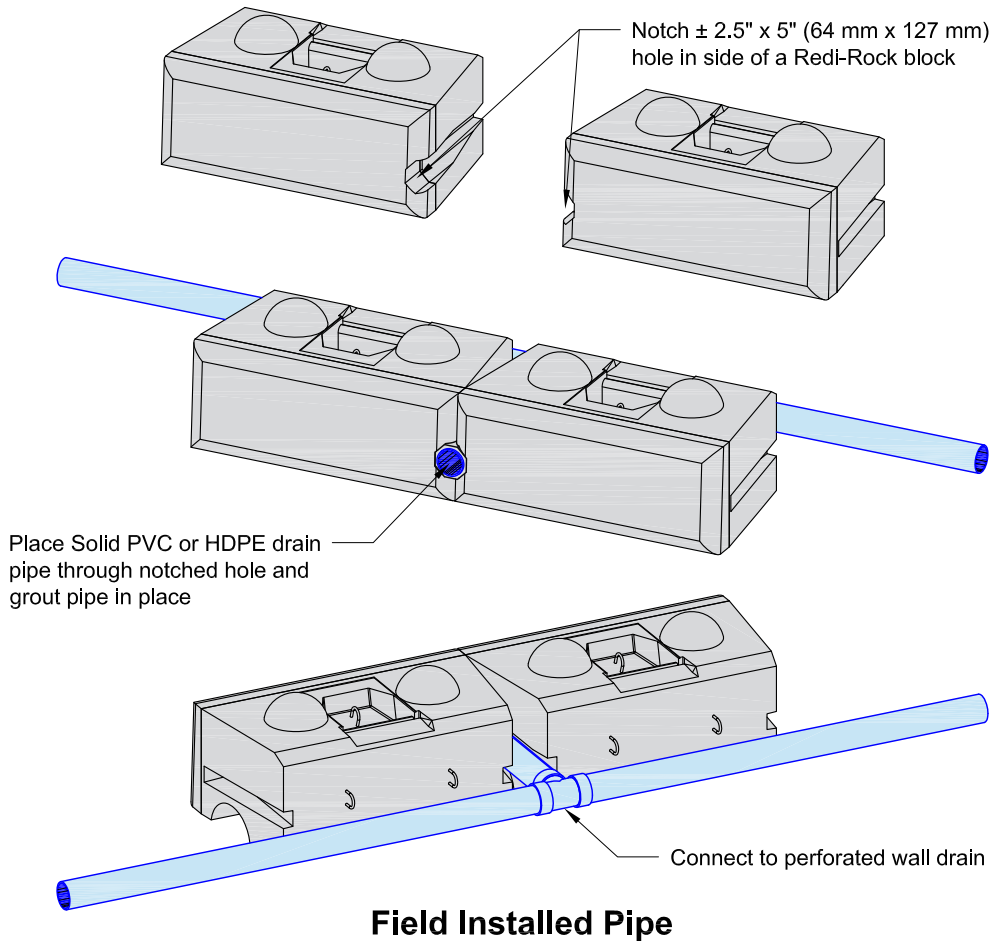
TITLE:	Concrete Leveling Pad	
FILE:		4 Concrete Leveling Pad 062215.dwg

REDI-ROCK®
 05481 US 31 SOUTH, CHARLEVOIX, MI 49720
 (866) 222-8400 ext 3010 • engineering@redi-rock.com
www.redi-rock.com

Wall Drain Weep Hole Options



Custom Pipe Cast into Block



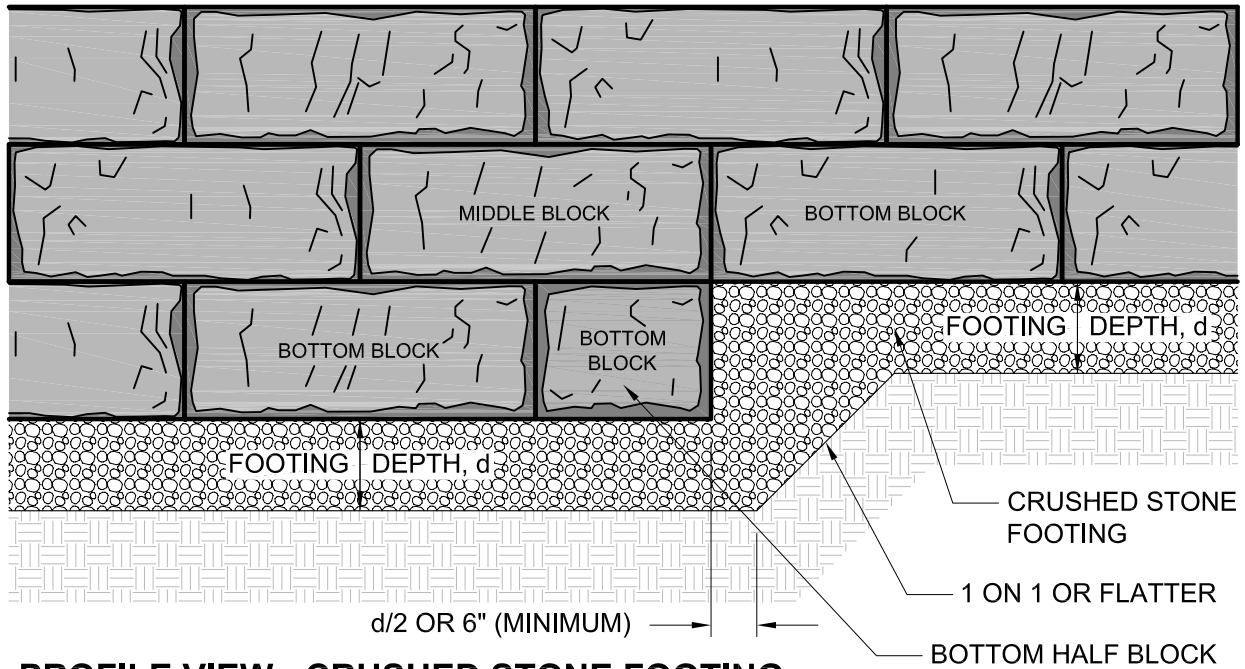
This drawing is for reference only. Determination of the suitability and/or manner of use of any details contained in this document is the sole responsibility of the design engineer of record. Final project designs, including all construction details, shall be prepared by a licensed professional engineer using the actual conditions of the proposed site.

DRAWN BY:	JRJ
APPROVED BY:	JRJ
DATE:	06-22-2015
SHEET:	1 of 1

TITLE:	Drainage Weep Options
FILE:	

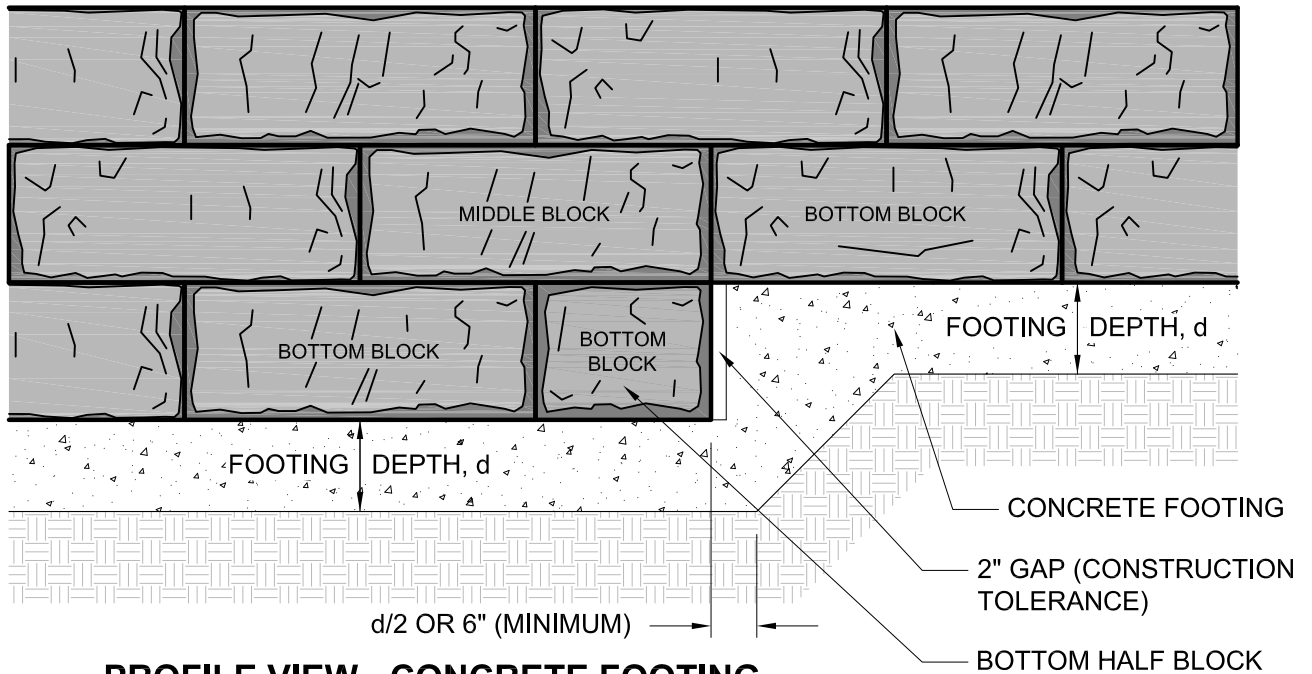
REDI-ROCK[®]
 05481 US 31 SOUTH, CHARLEVOIX, MI 49720
 (866) 222-8400 ext 3010 • engineering@redi-rock.com
www.redi-rock.com

STEP FOOTING DETAILS



PROFILE VIEW - CRUSHED STONE FOOTING

(No Scale)



PROFILE VIEW - CONCRETE FOOTING

(No Scale)

DRAWN BY:	JRJ
APPROVED BY:	JRJ
DATE:	06-22-2015
SHEET:	1 of 1

TITLE:	Step Footing Details
FILE:	

REDI-ROCK®

05481 US 31 SOUTH, CHARLEVOIX, MI 49720
 (866) 222-8400 ext 3010 • engineering@redi-rock.com
www.redi-rock.com