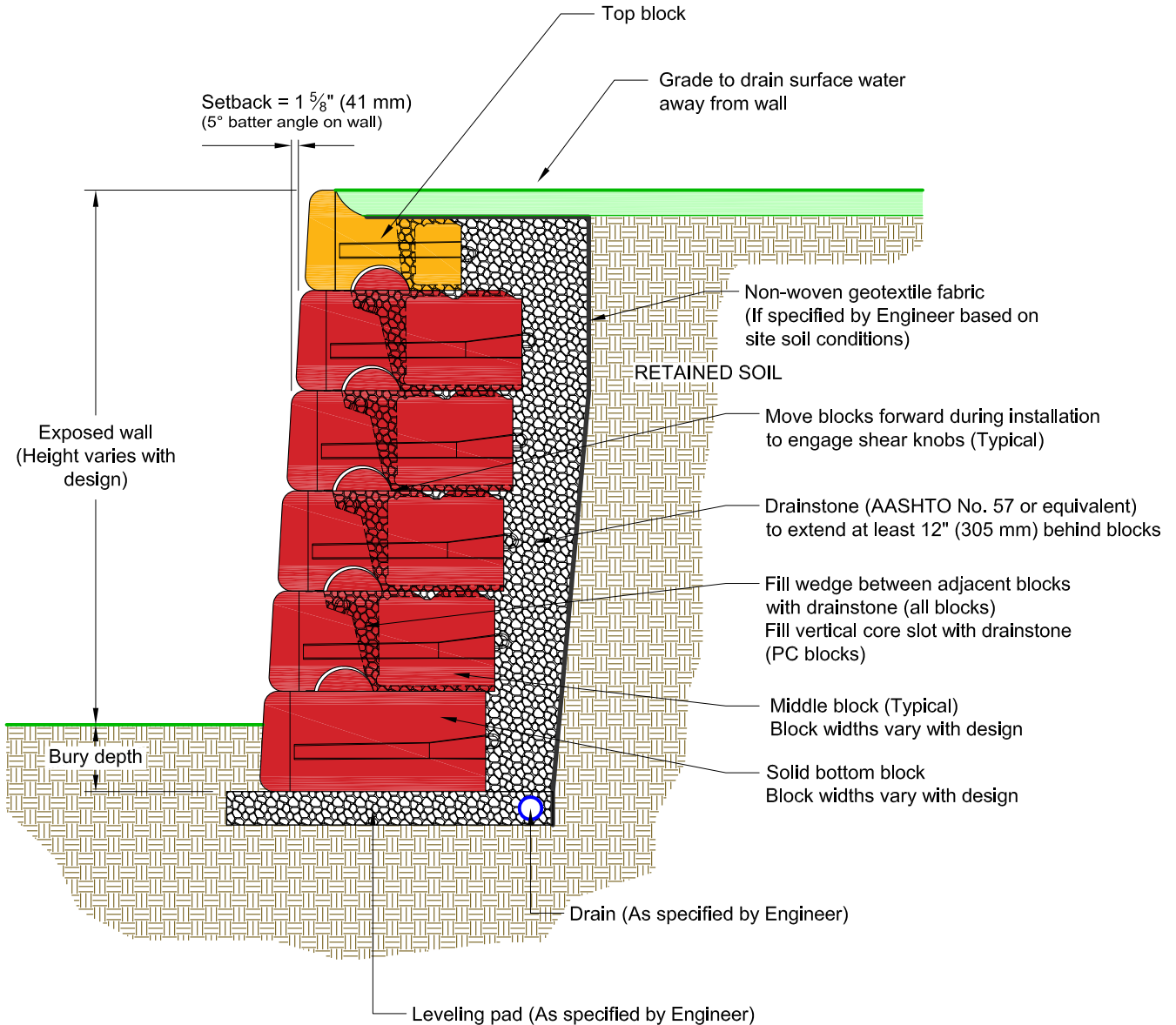
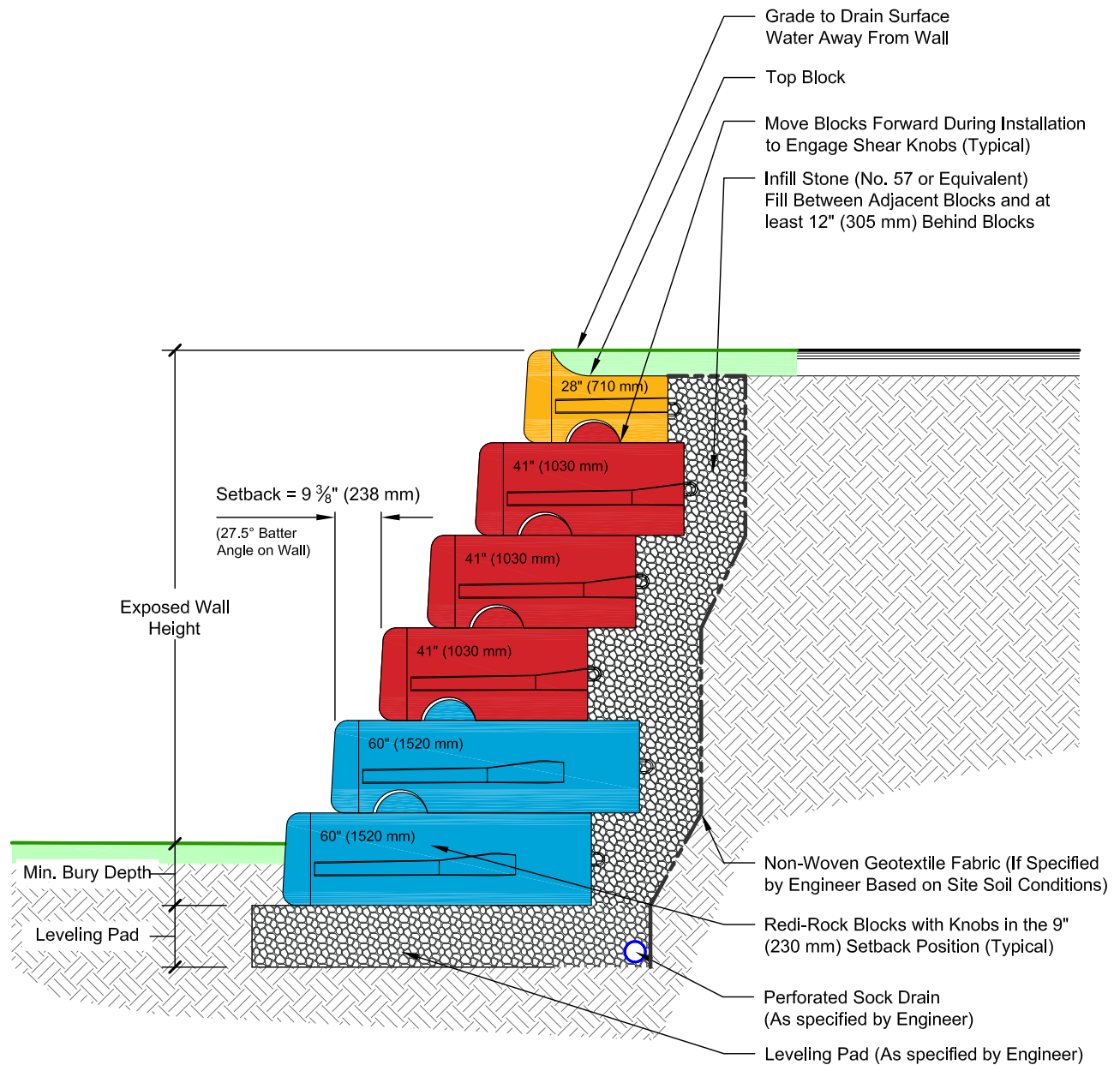


Typical Gravity Wall Section




This drawing is for reference only. Determination of the suitability and/or manner of use of any details contained in this document is the sole responsibility of the design engineer of record. Final project designs, including all construction details, shall be prepared by a licensed professional engineer using the actual conditions of the proposed site.

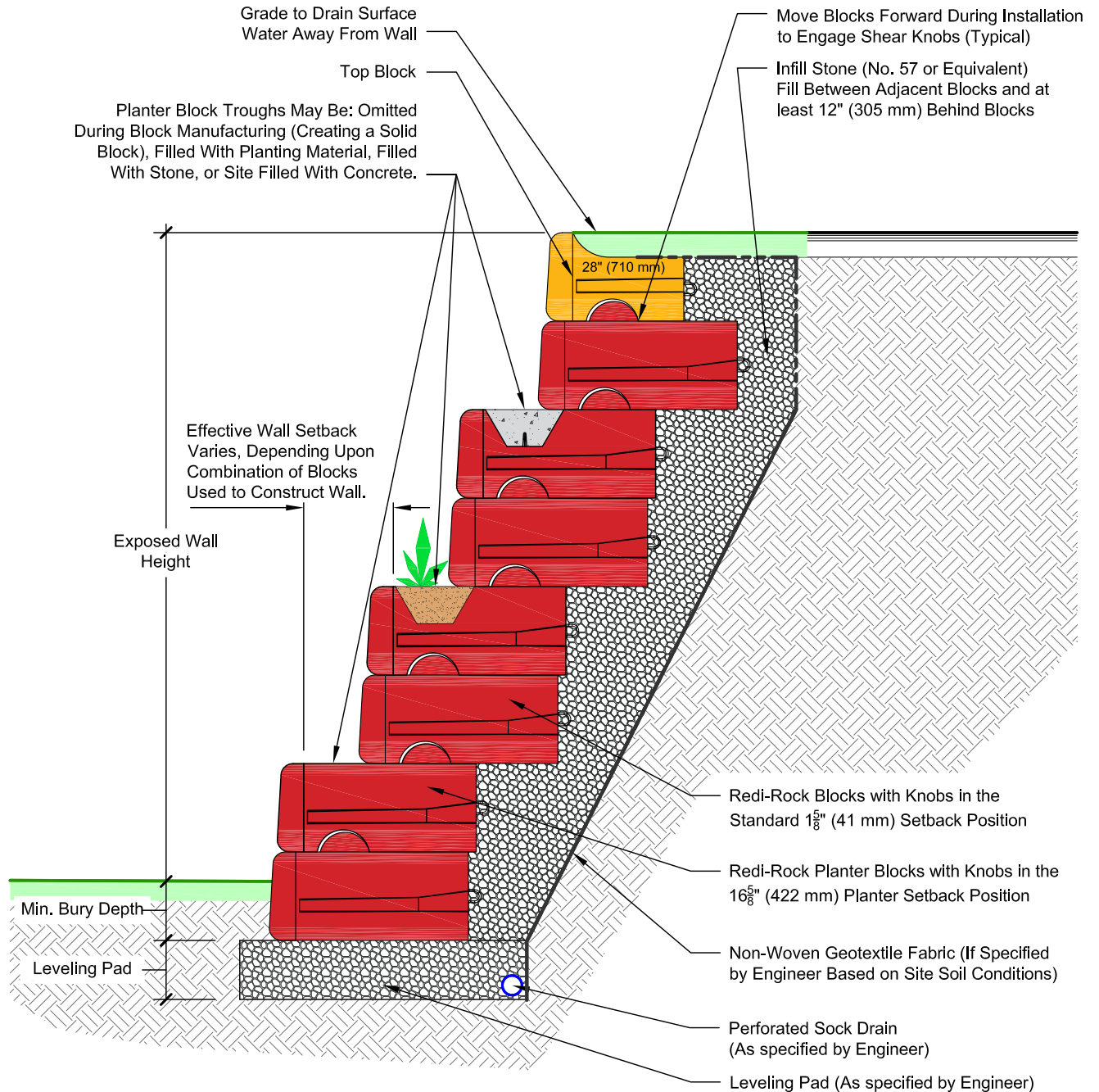
DRAWN BY:	JRJ	TITLE:	<h1>Typical Gravity Wall Detail</h1>	REDI-ROCK® 05481 US 31 SOUTH, CHARLEVOIX, MI 49720 (866) 222-8400 ext 3010 • engineering@redi-rock.com www.redi-rock.com
APPROVED BY:	JRJ	FILE:		
DATE:	17MAR2016	1 Typical Gravity Wall Detail 031716.dwg		
SHEET:	1 of 1			



This drawing is for reference only. Determination of the suitability and/or manner of use of any details contained in this document is the sole responsibility of the design engineer of record. Final project designs, including all construction details, shall be prepared by a licensed professional engineer using the actual conditions of the proposed site. Final wall design must address both internal and external drainage and all modes of wall stability.

DRAWN BY: B. Lindfors	TITLE: Large Batter Wall Section	 05481 US 31 SOUTH, CHARLEVOIX, MI 49720 (866) 222-8400 ext 3010 • engineering@redi-rock.com www.redi-rock.com
APPROVED BY: J. Johnson		
DATE: Jan 28, 2016		
SHEET: 1 of 1	FILE: Large Batter Gravity Wall Section 012816.dwg	

The Redi-Rock retaining blocks are available with multiple shear knob size and location options, to permit wall batter design flexibility. This detail depicts alternating $16\frac{5}{8}$ " (422 mm) Planter and $1\frac{5}{8}$ " (41 mm) Standard setback blocks, however designs are possible using more than one Standard setback block between Planter blocks. The regular repetition of combinations of different setback blocks within a wall profile can have structural and aesthetic significance. Abrupt changes in wall batter that carry over multiple blocks are not recommended.



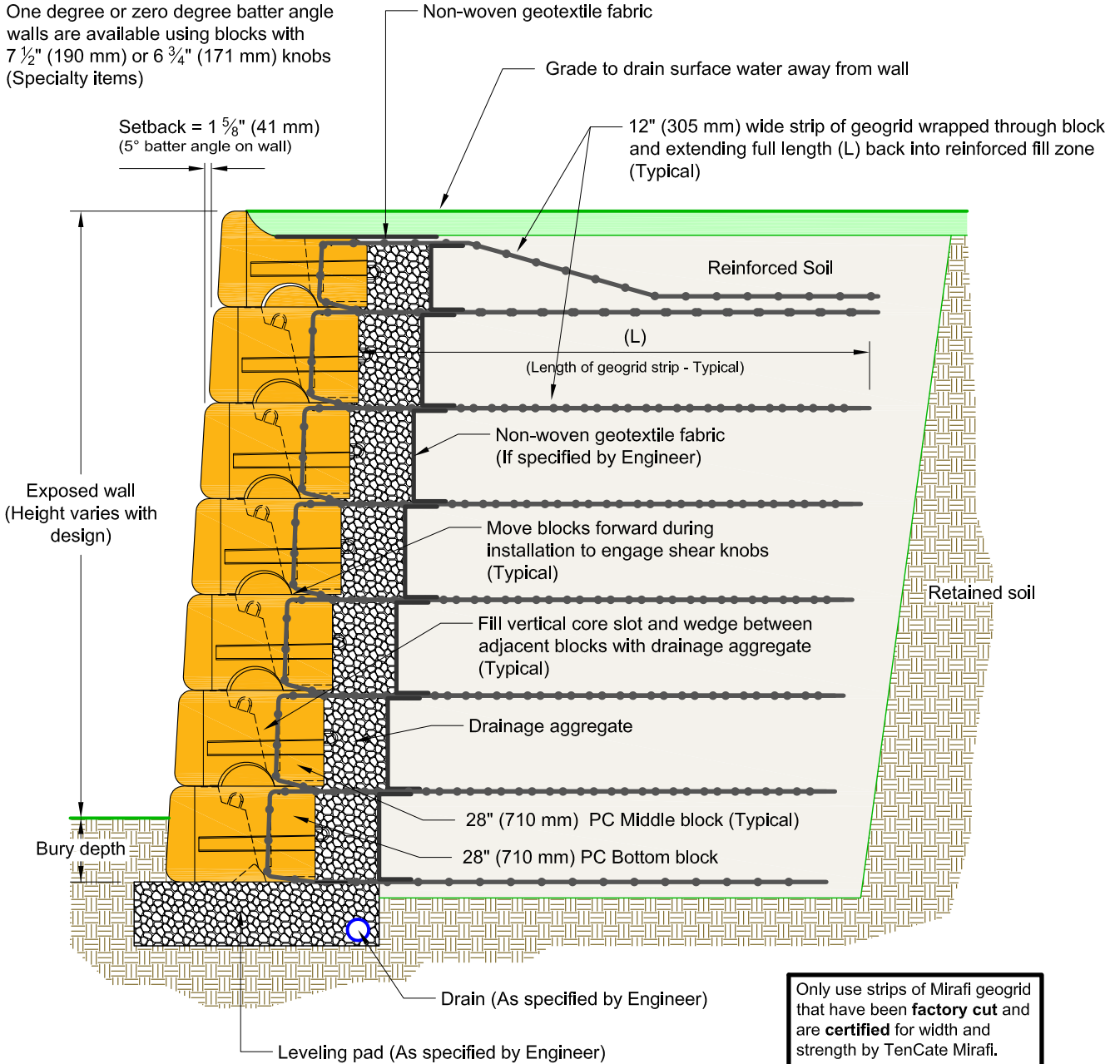
This drawing is for reference only. Determination of the suitability and/or manner of use of any details contained in this document is the sole responsibility of the design engineer of record. Final project designs, including all construction details, shall be prepared by a licensed professional engineer using the actual conditions of the proposed site. Final wall design must address both internal and external drainage and all modes of wall stability.

DRAWN BY: B. Lindfors	TITLE: Alternating Planter & Standard Batter Block Wall Section	 05481 US 31 SOUTH, CHARLEVOIX, MI 49720 (866) 222-8400 ext 3010 • engineering@redi-rock.com www.redi-rock.com
APPROVED BY: J. Johnson		
DATE: Jan 28, 2016		
SHEET: 1 of 1	FILE: Alt Planter & Standard Batter Wall Section 012816.dwg	

Typical Reinforced Wall Section


Note:

One degree or zero degree batter angle walls are available using blocks with 7 1/2" (190 mm) or 6 3/4" (171 mm) knobs (Specialty items)



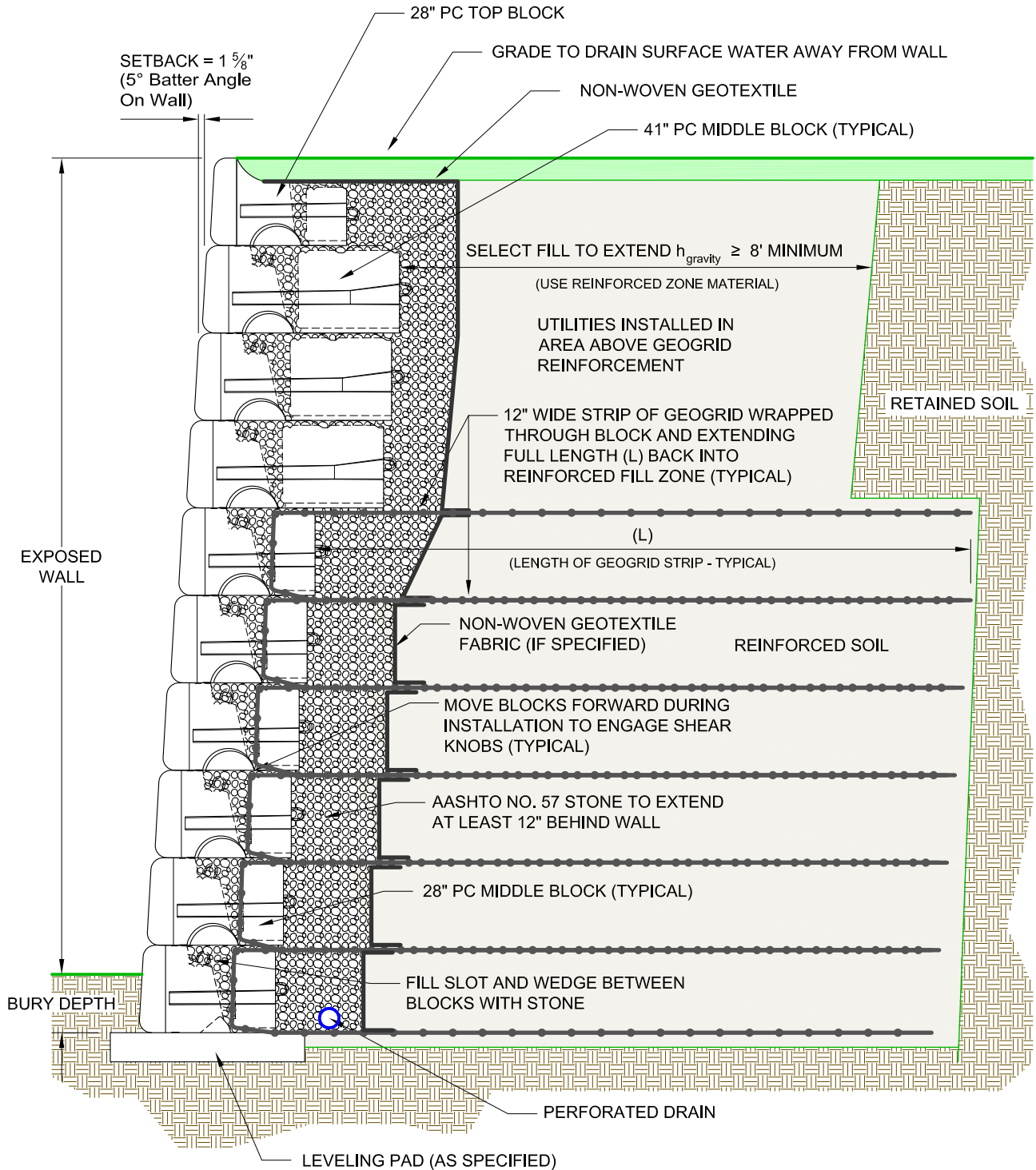
Only use strips of Mirafi geogrid that have been **factory cut** and are **certified** for width and strength by TenCate Mirafi.

This drawing is for reference only. Determination of the suitability and/or manner of use of any details contained in this document is the sole responsibility of the design engineer of record. Final project designs, including all construction details, shall be prepared by a licensed professional engineer using the actual conditions of the proposed site.

DRAWN BY:	JRJ	TITLE:	Typical Reinforced Wall Section	
APPROVED BY:	JRJ			
DATE:	17MAR2016			
SHEET:	1 of 1	FILE:	2 Typical Gravity Wall Section 031716.dwg	05481 US 31 SOUTH, CHARLEVOIX, MI 49720 (866) 222-8400 ext 3010 • engineering@redi-rock.com www.redi-rock.com

TYPICAL COMBINATION REINFORCED/GRAVITY WALL WITH POSITIVE CONNECTION (PC) BLOCKS

NO SCALE



- This drawing is for reference only.
- Final designs for construction must be prepared by a registered Professional Engineer using the actual conditions of the proposed site.
- Final wall design must address both internal and external drainage and shall be evaluated by the Professional Engineer who is responsible for the wall design.

DRAWN BY:	JRJ
APPROVED BY:	JRJ
DATE:	06-22-2015
SHEET:	1 of 1

TITLE:	Typical Combination Reinforced / Gravity Wall Section
FILE:	3 Typical Combination Wall PC 062215.dwg

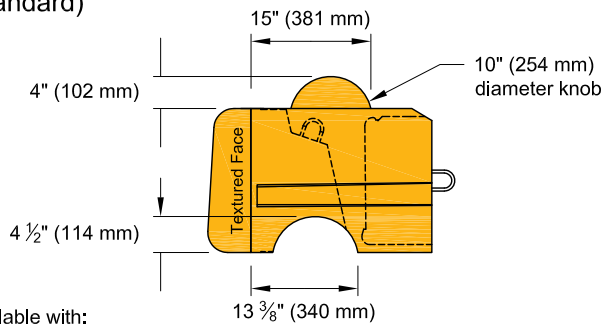
REDI-ROCK®

05481 US 31 SOUTH, CHARLEVOIX, MI 49720
(866) 222-8400 ext 3010 • engineering@redi-rock.com
www.redi-rock.com

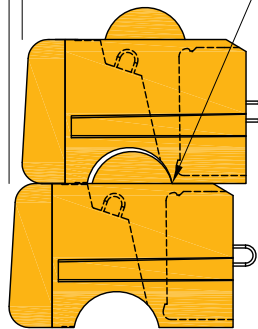
BLOCK-TO-BLOCK SETBACK OPTIONS

NO SCALE

Five degree (5°) setback (Standard)



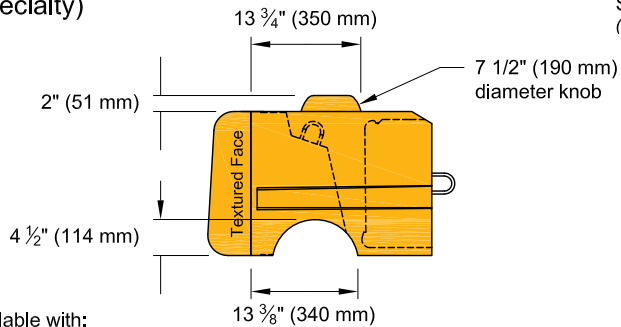
Setback = 1 5/8" (41 mm)
(5° batter angle on wall)



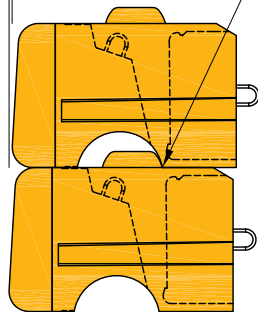
Available with:

- 28" (710 mm) blocks, 41" (1030 mm) blocks, and 60" (1520 mm) blocks
- 28" (710 mm) PC blocks (shown here) and 41" (1030 mm) PC blocks

One degree (1°) setback (Specialty)



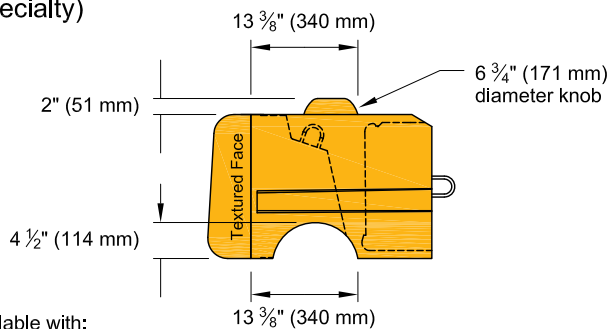
Setback = 3/8" (10 mm)
(1° batter angle on wall)



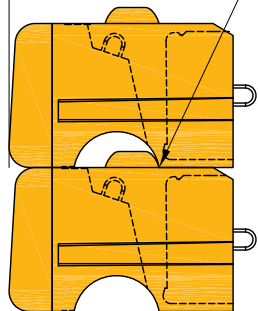
Available with:

- 28" (710 mm) blocks, 41" (1030 mm) blocks, and 60" (1520 mm) blocks
- 28" (710 mm) PC blocks (shown here) and 41" (1030 mm) PC blocks

Zero (0°) setback (Specialty)



Setback = 0" (0 mm)
(0° batter angle on wall)



Available with:

- 28" (710 mm) blocks, 41" (1030 mm) blocks, and 60" (1520 mm) blocks
- 28" (710 mm) PC blocks (shown here) and 41" (1030 mm) PC blocks

The block-to-block setback available with Redi-Rock is controlled by the size and location of the shear knobs (domes) cast into the blocks. While the 10" (254 mm) diameter knob and the 1 5/8" (41 mm) setback position is the most common configuration, Redi-Rock has three different knob sizes and three different locations available.

DRAWN BY:	JRJ
APPROVED BY:	JRJ
DATE:	06-22-2015
SHEET:	1 of 1

TITLE:	Block Setback Options Normal Batter
FILE:	

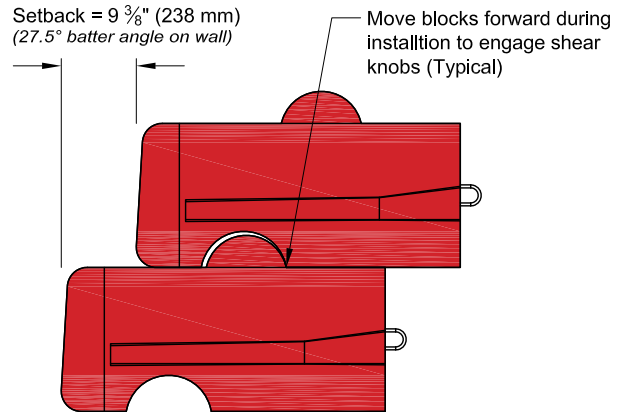
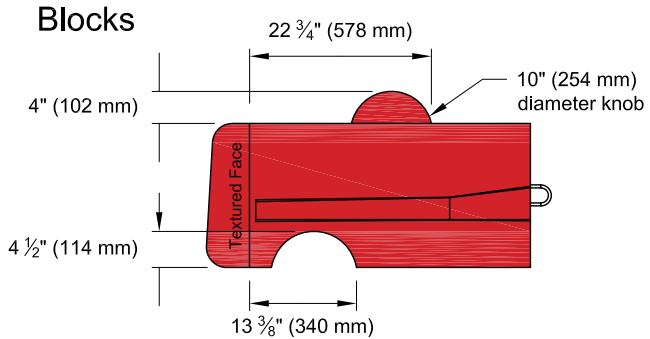
REDI-ROCK®
05481 US 31 SOUTH, CHARLEVOIX, MI 49720
(866) 222-8400 ext 3010 • engineering@redi-rock.com
www.redi-rock.com

BLOCK-TO-BLOCK SETBACK OPTIONS

NO SCALE

9" (230 mm) Setback

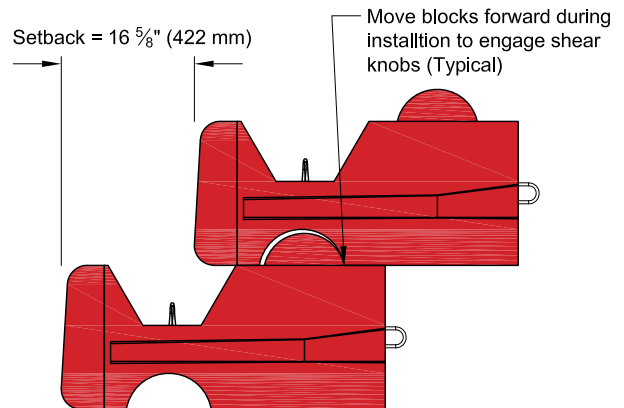
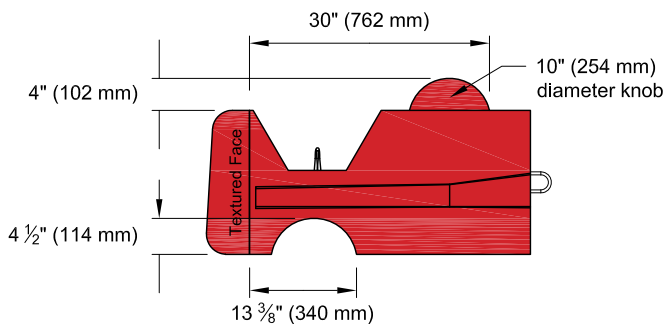
Blocks



Available with:

- 41" (1030 mm) blocks (shown here) and 60" (1520 mm) blocks
- Not available in PC blocks

Planter Blocks



Available with:

- 41" (1030 mm) blocks (shown here) and 60" (1520 mm) blocks
- Not available in PC blocks

Redi-Rock has two options for large batter retaining walls. Both options are created by relocating the knob so that it is further back in the Redi-Rock blocks compared to our smaller batter walls (5° and less). There are two knob locations further back in the block which create the 9" (230 mm) setback block and the planter block. Blocks made with knobs in either of these locations almost exclusively use 10" (254 mm) diameter knobs.

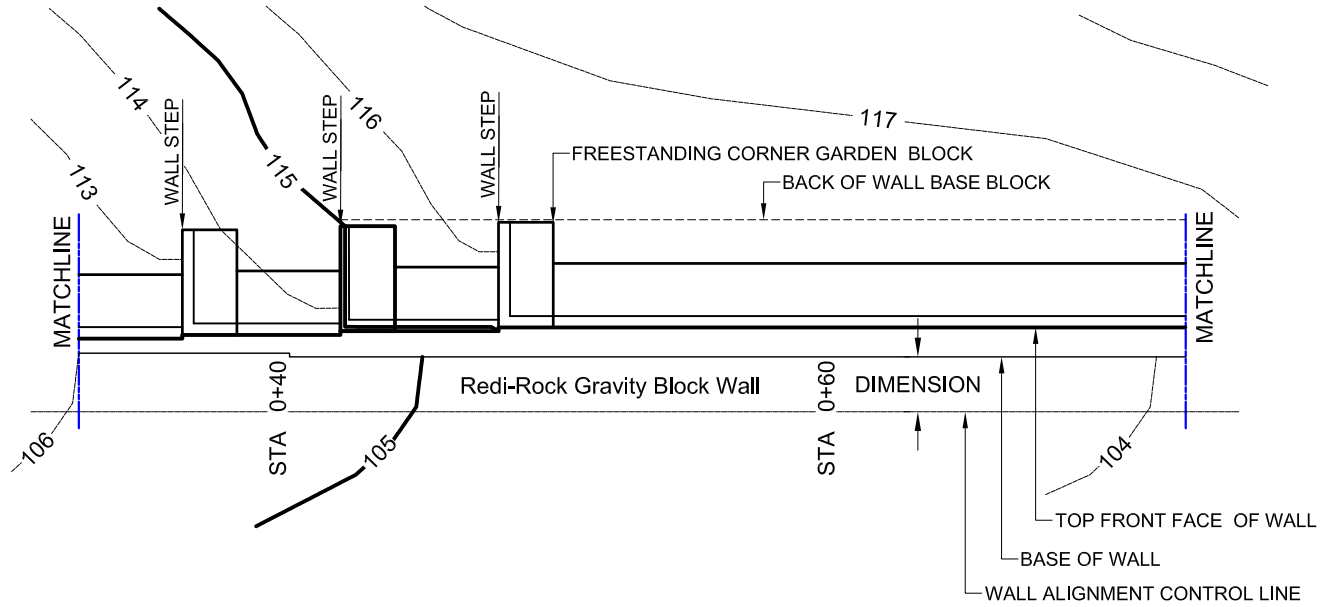
DRAWN BY:	JRJ
APPROVED BY:	JRJ
DATE:	06-22-2015
SHEET:	1 of 1

TITLE:	<h2>Block Setback Options Large Batter</h2>
FILE:	

REDI-ROCK®

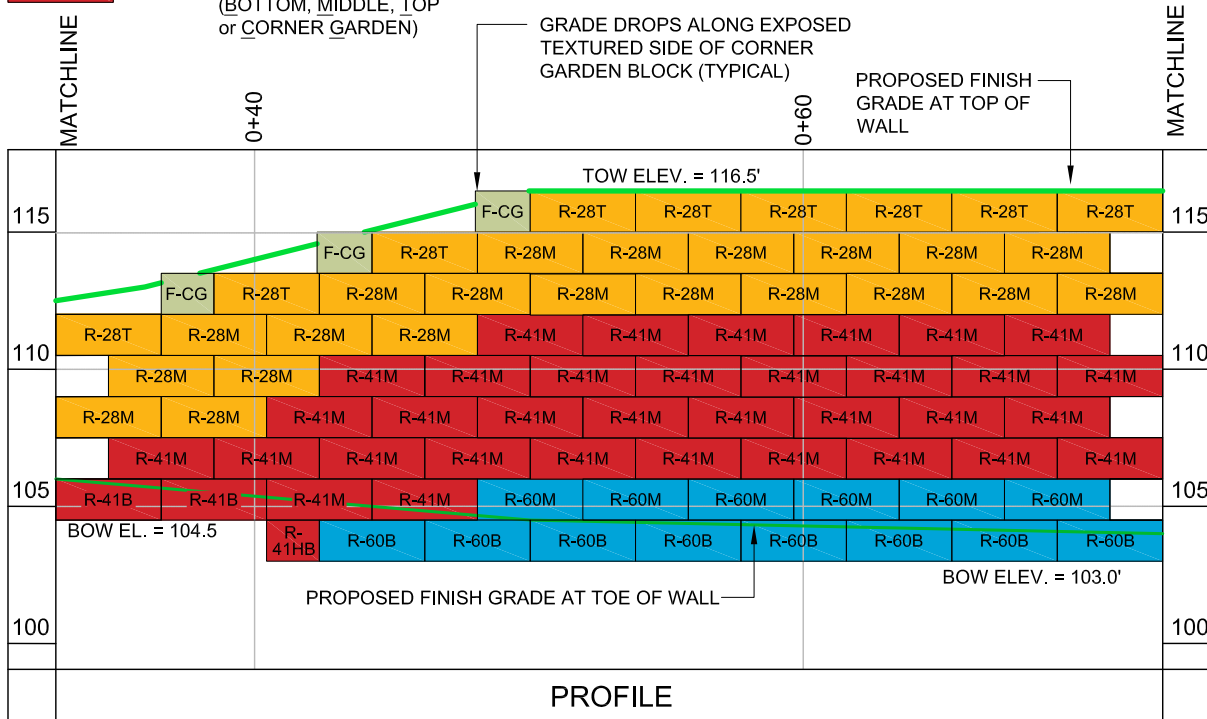
05481 US 31 SOUTH, CHARLEVOIX, MI 49720
 (866) 222-8400 ext 3010 • engineering@redi-rock.com
www.redi-rock.com

Sample Plan and Profile Gravity Wall



LEGEND:

- BLOCK SERIES (RETAINING, FREESTANDING, ACCESSORY)
- BLOCK SIZE (28,41, & 60)
- R-41M — BLOCK TYPE (BOTTOM, MIDDLE, TOP or CORNER GARDEN)



- This drawing is for reference only.
- Final designs for construction must be prepared by a registered Professional Engineer using the actual conditions of the proposed site.
- Final wall design must address both internal and external drainage and shall be evaluated by the Professional Engineer who is responsible for the wall design.

DRAWN BY:	JRJ
APPROVED BY:	JRJ
DATE:	22MAR2016
SHEET:	1 of 1

TITLE:	Sample Plan and Profile Gravity Wall
FILE:	2 Sample Plan and Profile Gravity Wall 032216.dwg

05481 US 31 SOUTH, CHARLEVOIX, MI 49720
 (866) 222-8400 ext 3010 • engineering@redi-rock.com
www.redi-rock.com